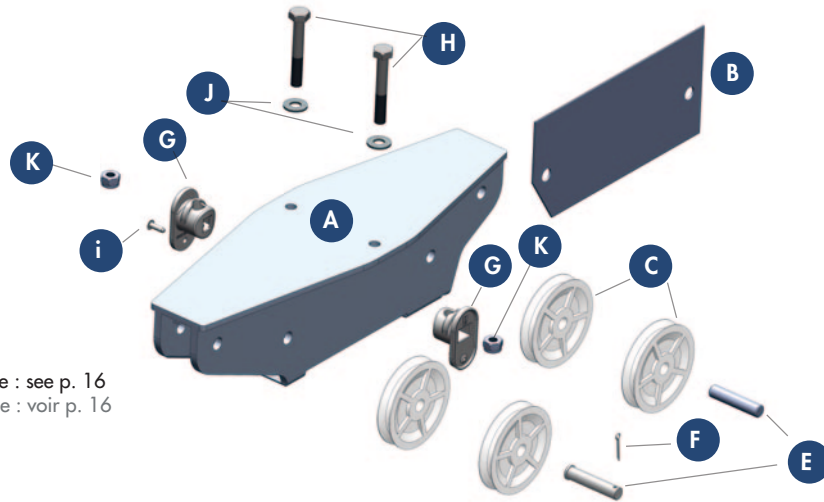


Bolted mastheads
Têtes de mât boulonnées



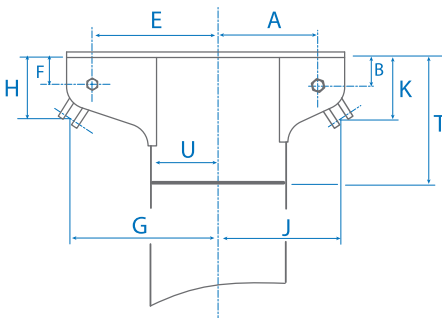
Toggle : see p. 16
Chape : voir p. 16

BOLTED MASTHEADS PARTS / ÉLÉMENTS DES TÊTES DE MÂT BOULONNÉES

MAST SECTION / MÂT		S330	S400	S510	S622	S830	S1170	S1210	S1540	S2100										
Pict	SECTION n°	3		3		3		6		6										
	LONGUEUR mm	371		386		406		396		427										
Rep	CODE COMPLET	30003B20075		30003B20095		30003B20105		30003B20125		30003B20145										
	DESCRIPTION	COMPLETE CODE		30003B20165		30006B20185		30006B20235		30006B20225										
	DESIGNATION	DESCRIPTION	CODE	Qt	CODE	Qt	CODE	Qt	CODE	Qt	CODE	Qt								
A	CORPS	BODY	30003B21072	1	30003B21092	1	30003B21102	1	30003B21122	1	30003B21142	1	30003B21162	1	30006B21182	1	30006B21232	1	30006B21222	1
B	CLOISON	CHEEK	30003113955	1	30003B21092	1	30003B21102	1	30003133913	1	30003122803	1	30003114825	1	-	-	-	-	-	-
	KIT Composants	Parts KIT	30003B07070	1	30003B07090	1	30003B07100	1	30003B07120	1	30003B07120	1	30003B27160	1	30006B07180	1	30006B07230	1	30006B046146	1
C	REAS	SHEAVES	48685151200	4	48685151200	4	48685151200	4	48510801525	4	48510801525	4	48510801525	4	48511102125	4	48511102125	4	48511102125	4
D	AXE DROIT	PIN	40020112060	1	40020112060	1	40020112056	1	40020112060	1	40020112060	1	40020112056	1	40020118069	1	40020118077	1	40020118080	1
E	AXE ÉPAULÉ	CLEVIS PIN	40020212052	1	40020212080	1	40020212052	1	40020212052	1	40020212052	1	40020212052	1	40020218078	1	40020218078	1	40020218078	1
F	GOUPILLE	COTTER PIN	28803032200	1	28803032200	1	28803032200	1	28803032200	1	28803032200	1	28803032200	1	28803032320	1	28803032320	1	28803032320	1
	KIT Assemblage	Assembly KIT	30003B02000						1			30006B02015			1					
G	PLOT	PULLING STUD	30003B03014						2			30006B210014			2					
H	VIS	SCREW	28600110070						2			28600114090			2					
I	RIVET	RIVET	29002248140						2			29004164180			2					
J	RONDELLE	WASHER	28601010000						2			28602014000			2					
K	ÉCROU FREIN	LOCKING NUT	28600510000						2			28600514000			2					

SPECIFICATIONS

CARACTÉRISTIQUES DIMENSIONNELLES



MAST SECTION / MÂT	PART NUMBER / REF.	ø TOGGLES / ø AXE CHAPE	G	H	J	K	T	U
S 35 & S 80	-	only 7/8 uniquement						
S 50	30004022335	ø6, ø8	120	51	91	51	240	45
S 67	30004022585	ø6, ø8	135	51	119	51	240	50
		ø10	140	61	121	62	240	50
S 137	30004033425	ø6, ø8	191	51	120	54	240	61
		ø10	195	61	123	62	240	61
S 180	30004023135	ø6, ø8	164	51	127	51	240	65
		ø10, ø12	168	61	130	62	240	65
S 260	30004023445	ø10, ø12	187	61	142	62	240	67
S 330	30003B20075	ø12	198	82	172	83	320	68
S 400	30003B20095	ø12	208	86	194	84	320	76
S 510	30003B20105	ø12, ø16	215	86	204	84	320	81
S 622	30003B20125	ø12, ø16	237	82	208	84	340	90
S 830	30003B20145	ø12, ø16	212	82	233	84	340	96
S 1170	30003B20165	ø12, ø16, ø18	242	82	213	89	400	105
			E	F	A	B	T	U
S 1060	30006015875	ø12, ø16, ø18	300	38	217	38	400	108
S 1210	30006015485	ø12, ø16, ø18	290	44	251	44	400	101
S 1395	30006016085	ø16 mini	300	38	238	38	400	115
S 1540	30006015735	ø16 mini	300	44	265	44	400	112
S 1630	30006011055	ø16 mini	265	42	215	42	400	121
S 2100	30006016515	ø16 mini	312	38	268	38	440	127
S 3410	30005027505	ø16 mini	404	50	310	50	440	140