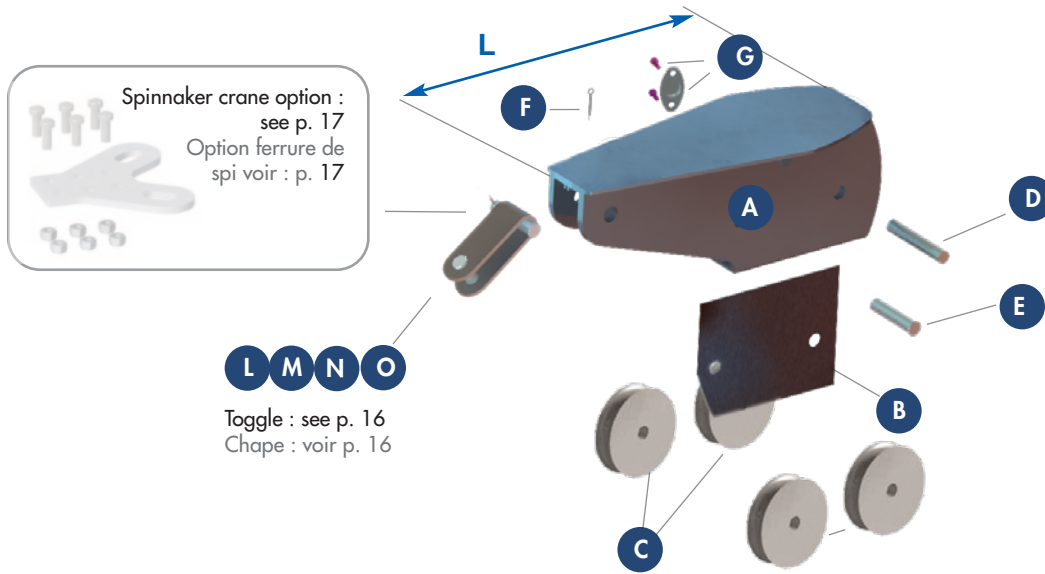


## FRACTIONNÉ RÉTREINT / FRACTIONAL & TAPERED



### WELDED MASTHEADS PARTS / ÉLÉMENTS DES TÊTES DE MÂT SOUDÉES

MAST SECTION / MÂT		S50	S67	S137	S180	S260	S330	S400	S500									
Pict / Repères	SECTION n°	BODY n°		4	4	4	4	4	3	3	3							
	LONGUEUR mm	LENGTH mm		189	210	263	240	287	321	348	340							
	CODE COMPLET	COMPLETE CODE		30003011895	30004032085	30004052635	30004052505	30004032875	30003033215	30003053485	30003053405							
	DESIGNATION	DESCRIPTION	CODE	Qt	CODE	Qt	CODE	Qt	CODE	Qt	CODE	Qt						
A	CORPS	BODY	30004011893	1	30004032082	1	30004132635	1	30004052503	1	30004032872	1	30003033212	1	30003053483	1	30003053402	1
B	CLOISON	CHEEK	30004151991	1	30004112085	1	30004052632	1	30004152503	1	30003152875	1	30003113215	1	30003153485	1	30003113405	1
C	REAS	SHEAVES	48510481215	4	48510481215	2	48660131000	4	48660131000	4	48660131000	4	48685151200	4	48685151200	4	48685151200	4
D	AXE DROIT	PIN	40201100512	1	-	-	40020110060	1	40020110060	1	40020110060	1	40020112065	1	40020112065	1	40020112065	1
E	AXE ÉPAULÉ	CLEVIS PIN	40020210040	1	40020210040	1	40020210040	1	40020210040	1	40020210040	1	40020212052	1	40020212052	1	40020212056	1
F	GOUPILLE	COTTER PIN	28803032200	1	28803032200	1	28803032320	1	28803032200	1	28803032200	1	28803032200	1	28803032200	1	28803032200	1
G	CACHE AXE	PIN PROTECT.	41201020105	1	-	-	41201020105	1	41201020105	1	41201020105	1	41201020105	1	41201020105	1	41201020105	1

MAST SECTION SECTION MÂT		S622	S830	S1060	S1210	S1395	S1540	S2100	S3410										
Pict / Repères	SECTION n°	BODY n°		3	3	6	6	6	6	5									
	LONGUEUR (mm)	LENGTH (mm)		375	363	420	430	441	455	500	640								
	CODE COMPLET	COMPLETE CODE		30003033755	30003034156	30006054505	30006034305	30006054715	30006034565	30006055015	30005056405								
	DESIG.	DESCRIPT.	CODE	Qt	CODE	Qt	CODE	Qt	CODE	Qt	CODE	Qt	CODE	Qt	CODE	Qt			
A	CORPS	BODY	30006203753	1	30003034153	1	30006054502	1	30006034302	1	30006054712	1	30006034562	1	30006055011	1	30005056402	1	
B	CLOISON	CHEEK	30006203452	1	30003114153	1	-	-	-	-	-	-	-	-	-	-	-		
C	REAS	SHEAVES	48510801525	4	48510801525	4	48511102125	4	48511102125	4	48511102125	4	48511102125	4	48511102125	4	48511402125	4	
D	AXE DROIT	PIN	40020112080	1	40020112080	1	40201181052	1	40020118080	1	40201181052	1	40020118080	1	40201181052	1	40020120130	2	
E	AXE ÉPAULÉ	CLEVIS PIN	40020212052	1	40020212052	1	40020218078	1	40020218078	1	40020218078	1	40020218078	1	40020218078	1	40020220094	1	
F	GOUPILLE	COTTER PIN	28803032200	1	28803032200	1	28803040400	1	28803040400	1	28803040400	1	28803040400	1	28803032320	1	28803040400	1	
G	CACHE AXE	PIN PROTECT.	41201020105	1	41201020105	1	41201020205	1	41201020205	1	41201020205	1	41201020205	1	41201020205	1	41201020205	2	
J	RONDELLE	WASHER				28601018000	1	28601018000	1	28601018000	1	28601018000	1	28601018000	1	28601018000	1	28602320030	2
	AXE MOUFLAGE	2 to 1 PIN	-															INCLUDED INCLUS	