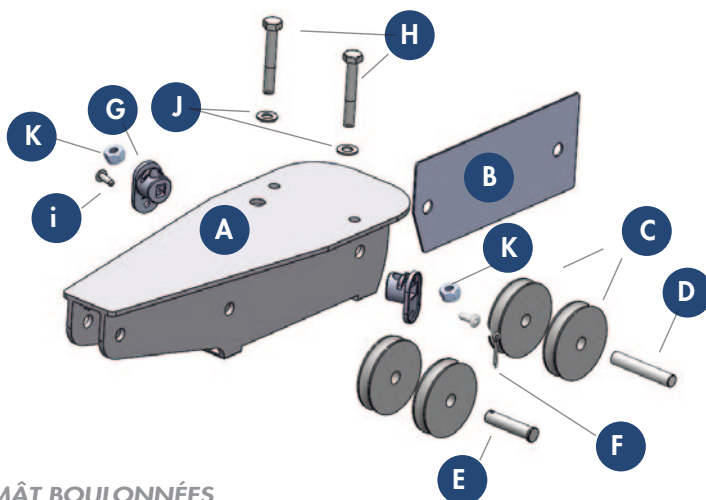


## FRACTIONNÉ NON RÉTREINT / FRACTIONAL & NON TAPERED



### BOLTED MASTHEADS PARTS / ÉLÉMENTS DES TÊTES DE MÂT BOULONNÉES

MAST SECTION / MÂT		S67	S260	S330	S400	S510	S622	S830								
SECTION n°	BODY n°	4	4	3	3	3	3	3								
LONG. mm	LENGTH mm	256	334	371	386	406	396	427								
CODE COMPLET	COMPLETE CODE	30004B00005	30004B00045	30003B00075	30003B00095	30003B00105	30003B00125	30003B00145								
DESIGNATION	DESCRIPTION	CODE	Qt	CODE	Qt	CODE	Qt	CODE	Qt							
A	CORPS	BODY	30004B01002	1	30004B01042	1	30003B01072	1	30003B01092	1	30003B01102	1	30003B01122	1	30003B01142	1
B	CLOISON	CHEEK	30004252563	1	30003153325	1	30003153936	1	30003153937	1	30003153938	1	30003153965	1	30003153003	1
	KIT COMPOSANTS	PARTS KIT	30004B07000	1	30004B07040	1	30003B07070	1	30003B07090	1	30003B07100	1	30003B07120	1	30003B07120	1
C	REAS	SHEAVES	48510481215	4	48660131000	4	48685151200	4	48685151200	4	48685151200	4	48510801525	4	48510801525	4
D	AXE DROIT	PIN	40020110060	1	40020110060	1	40020112065	1	40020112060	1	40020112056	1	40020112060	1	40020112060	1
E	AXE ÉPAULÉ	CLEVIS PIN	40020210040	1	40020210040	1	40020212052	1	40020212080	1	40020212052	1	40020212052	1	40020212052	1
F	GOUPILLE	COTTER PIN	28803032200	1	28803032200	1	28803032200	1	28803032200	1	28803032200	1	28803032200	1	28803032200	1
	KIT ASSEMBLAGE	ASSEMBLY KIT	30004B02015	1							30003B02000					1
G	PLOT	PULLING STUD	30004B03014	2							30003B03014					2
H	VIS	SCREW	28600108055	2							28600110070					2
I	RIVET	RIVET	29002248140	2							29002248140					2
J	RONDELLE	WASHER	28601008000	2							28601010000					2
K	ÉCROU FREIN	LOCKING NUT	28600508000	2							28600510000					2

MAST SECTION / MÂT		S1210	S1540	S2100				
SECTION n°	BODY n°	6	6	6				
LONG. mm	LENGTH mm	515	540	614				
CODE COMPLET	COMPLETE CODE	30006B00185	30006B00235	30006B00223				
DESIGNATION	DESCRIPTION	CODE	Qt	CODE	Qt	CODE	Qt	
A	CORPS	BODY	30006B01182	1	30006B01232	1	30006B01223	1
B	CLOISON	CHEEK	-	1	-	1	-	
	KIT COMPOSANTS	PARTS KIT	30006B07180	1	30006B07230	1	30006046146	1
C	REAS	SHEAVES	48511102125	4	48511102125	4	48511102125	4
D	AXE DROIT	PIN	40020118069	1	40020118077	1	40020118080	1
E	AXE ÉPAULÉ	CLEVIS PIN	40020218078	1	40020218078	1	40020218078	1
F	GOUPILLE	COTTER PIN	28803032320	1	28803032320	1	28803032320	1
	KIT ASSEMBLAGE	ASSEMBLY KIT			30006B02015			1
G	PLOT	PULLING STUD			30006210014			2
H	VIS	SCREW			28600114090			2
I	RIVET	RIVET			29004164180			2
J	RONDELLE	WASHER			28602014000			2
K	ÉCROU FREIN	LOCKING NUT			28600514000			2

MAST SECTION / MÂT		S1060	S1630			
SECTION n°	BODY n°	3	3			
LONG. mm	LENGTH mm	407	432			
CODE COMPLET	COMPLETE CODE	30003B00215	30003B00205			
DESIGNATION	DESCRIPTION	CODE	Qt	CODE	Qt	
A	CORPS	BODY	30003B01212	1	30003B01202	1
B	CLOISON	CHEEK	30009121061	1	30003B90001	1
	KIT COMPOSANTS	PARTS KIT	30003B07210	1	30003B07200	1
C	REAS	SHEAVES				
D	AXE DROIT	PIN				
E	AXE ÉPAULÉ	CLEVIS PIN				
F	GOUPILLE	COTTER PIN				
	KIT ASSEMBLAGE	ASSEMBLY KIT			30003B02000	1
G	PLOT	PULLING STUD			30003B03014	2
H	VIS	SCREW			28600110070	2
I	RIVET	RIVET			29002248140	2
J	RONDELLE	WASHER			28601010000	2
K	ÉCROU FREIN	LOCKING NUT			28600510000	2

only for multihulls  
Multicoques uniquement

