



SPARCRAFT™
Performance Engineering

ASSEMBLY MANUAL Advice and procedure  

NOTICE de MONTAGE Conseils & procédure 



SPARCRAFT™



A WORLDWIDE NETWORK



Stepping a mast is an involved and precise operation. We therefore advise you hire the professional services of a rigger. Please visit our website to see the list of Sparcraft agents. SPARCRAFT reserve the right to modify without notice all or part of these instructions.



Version française page 26

w w w . s p a r c r a f t . c o m

PROCEDURE FOR FITTING THE RIGGING

AND STEPPING THE MAST

Thank you for the interest you have shown in the Sparcraft brand. This document offers some advice to ensure that the mast and rigging installation goes well. So that you can follow the recommended procedure it gives a step by step account from unpacking the mast to its first use. This advice is a guide only and is not intended to replace the services of a professional.

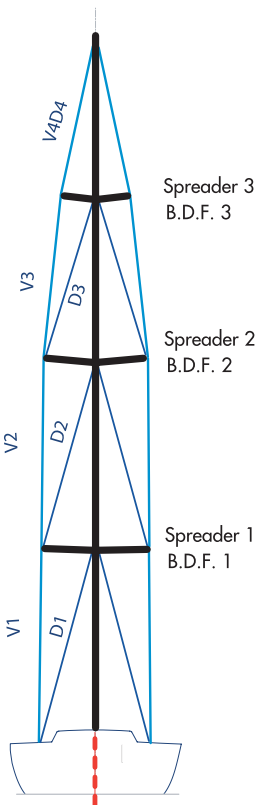


FIG. 1 - planted mast
(fitted to the keel)

In short, there are several types of rig:

- masthead rig: The forestay is attached to the top of the mast;
- fractional rig: the forestay is attached below the top of the mast (9/10 or 7/8 of the way up the mast for example);
- with one, two or more sets of spreaders, which may be swept-back (fig.2) or in-line ("in the axis");
- continuous (guided shrouds, the opposite which are not fixed to the tip of the spreaders) or on the contrary, discontinuous (section 5.3 and 5.4);
- the mast may be fitted to the deck or keel stepped (fig1).

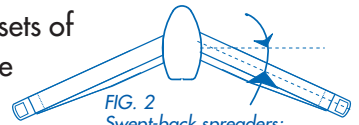


FIG. 2
Swept-back spreaders:
angling of spreaders in relation
to the axis of the mast

These various types of rig require different installations and adjustments (see sections 5.3 and 13). We have dedicated section 12 to catamaran rigs.

N.B. For furling masts please consult the relevant instructions

REMINDER AND CHECKS DURING THE PROCEDURE: see the end of this document



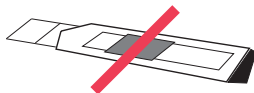
Inventory

Depending on where it is being delivered, the mast is packed in various materials: plastic, padding, wooden battens.

- carefully unpack the mast and check the overall condition in order to identify any problems;
- the condition of the packaging can be a determining factor in this checking process;
- before being sent, all our masts are inspected by our experts. The rare problems that are found tend to occur during transportation, which is why it is important to carry out a check on delivery;
- sort out and count all the necessary parts;
- when unpacking, avoid cutting the messenger lines and scratching the mast. Please be careful when using a cutter, knife or other sharp instrument.



Please be careful to avoid scratching the mast



REMINDER

- Sparcraft masts are delivered with running rigging (or the halyard messenger lines) attached and stuck to the mast;
- spars and standing rigging are kept separate in order to minimise the risk of damage during transportation.

Traceability: number check.

For Sparcraft, each rig is unique, which is why we give it an identification number enabling you to know where it has come from and which route it has taken. This is a way for us to guarantee the quality. Please note down these numbers in this booklet.



- MAST N°

(engraved near where the sail joins, back face at the profile bottom) -----

- STANDING N°

(on the bottom tip of the backstay) -----

PREPARATION OF THE MAST AND EQUIPMENT **2**

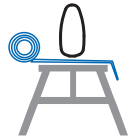
Preparation of the tools necessary for the operation

- identify each element of the mast and standing rigging;
- prepare the tools required for stepping the mast and the adjustments;
- use the right equipment: this avoids damaging the equipment (mallet instead of a hammer, for example).

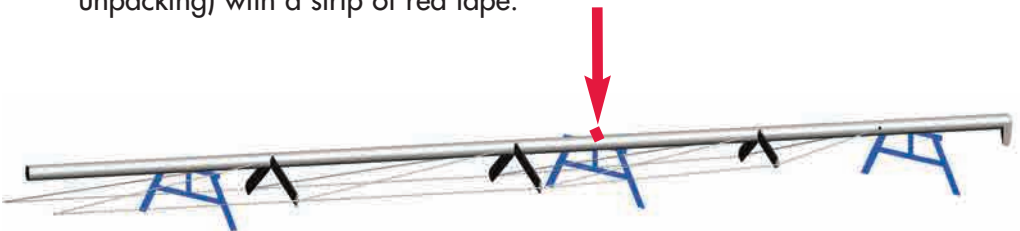


Setting up and protecting the mast

- set the mast down on Trestles, which have been protected by foam or other soft material.



The **centre of gravity of the mast** (where it is balanced to work on) is defined by a red mark on the mast packing. Indicate this mark (after unpacking) with a strip of red tape.





Take particular care when drilling not to damage anything

Drilling holes and pre-assembly

We are talking here of a pre-assembly, not a final assembly

- without fixing - of the aerials and lights;
- pass the cables through using the messenger lines;
- carry out the drilling, put in position the brackets;
- carry out the pre-assembly of the mast head equipment and deck lighting, taking care not to damage the sheaves;
- run through the cables that are required (additional lights and VHF) or planned for the future;
- Fill in around the holes to make them watertight;
- position the VHF aerial upside down (risk when being lifted);
- check the holes at the foot of the mast.

Passing through the messenger lines

You can leave one or more messenger lines in case of any future connections.



Front side - fore halyards / Rear side - rear halyards

Run the halyards through using the messenger lines (not for the pre-assembled halyards). Position the mast:

- front side downwards for the fore halyards;
- rear side downwards for the rear halyards;
- check that all of the halyards are clear, (not caught anywhere), are parallel to the exit holes from the mast and are free to move (exit from sheaves);
- make a knot to hold each halyard in place ("figure of eight knot").

The standing rigging ("side rigging") is fitted by starting at the top of the mast and gradually feeding it down step by step to the foot. The diagonal rigging (intermediate shrouds) and the spreaders are fitted during this process.

The standing rigging will be placed on either side of the mast.

Fitting of shells

The shells are placed into the mast (before the cables are threaded through the holes in the spreaders) in three simple stages:

5.1

Fitting



Rotation



Positioning



fixing a safety rivet

An aluminium rivet is placed into the top hole to stop the shell falling out during the stepping of the mast. **Ensure the shell is in place before inserting the rivet.** This rivet does not serve any structural purpose, as once the mast is erected, the shells are kept firmly in place by the rigging tension.

Types of masthead rig

- Side shells: come ready fitted (with rivet attachment);
- T-terminal: Line up the terminal at 90° and turn it 90° to fit into its housing. Fix a stopper in place to prevent it falling out (particularly for the runners);
- External masthead rig (on tangs): never apply tension to the bolts that pass through (risk of squashing the mast). Secure the attachment making sure to open up the split pin once the swage eyes are in place.

5.2

Fitting of spreaders

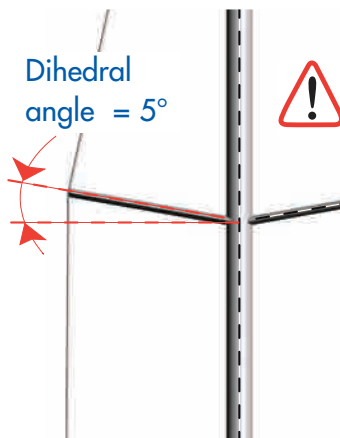
- the spreaders must be carefully positioned and fixed at each panel of the mast.
- The use of a mallet is recommended to avoid scratching the aluminium;
- place the spreaders top side up;
- open the pins very slightly (to ensure the spreaders are firmly fixed in place and that there is no movement in the spreaders).



Split pin to be opened to 90°

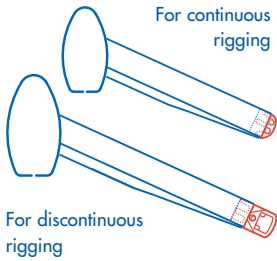


or use split rings



Please note: it is possible to use a clamp to fit the spreaders on steel bars: follow the instructions included with these spreaders.

Spreader tip fittings



Attach the tip fittings to the ends of the spreaders (continuous and/or discontinuous), so they can receive the top and intermediate shrouds.

Special precautions with discontinuous rigging

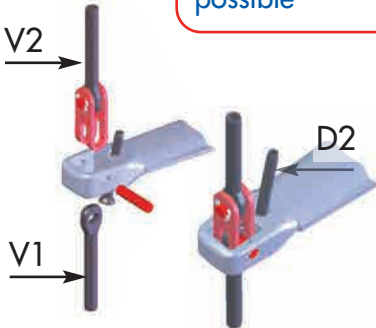
If using discontinuous rigging, each cable must be aligned and placed so that all the parts are correctly positioned:

- Clevis pin on top, the corresponding eye on the bottom;
- release the turnbuckles on the diagonal rigging (See figure for order V / D).

These should be loosened all the way.



Release the tension on the diagonal rigging as much as possible

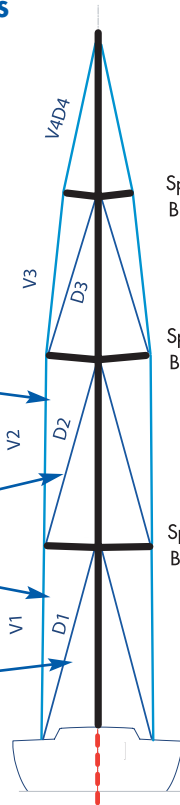


Vertical 2

Diagonal 2

Vertical 1

Diagonal 1



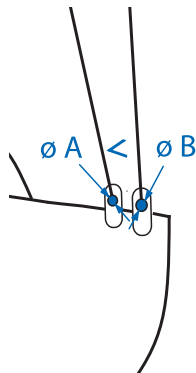
5.3

Fitting of the jumper : Jumper on the top

5.4

Special precautions with continuous rigging

- check the cable housing (front or rear) is correctly positioned before screwing the spreader tip fittings in place: the way the top and intermediate shrouds pass through the tips of the spreaders is determined by the position order of the cables on the chain plate on the boat (in general the lower holes on the chain plate are for the intermediate shrouds);
- Otherwise, the default arrangement is: cap shrouds on the back and intermediate shrouds on the front.



Check the positioning of the cables before fixing the tips of the spreaders

5.5

Line up the side rigging alongside the mast

- continuous rigging: side by side while carefully protecting the mast and the turnbuckles (see below);
- discontinuous rigging: tighten V1 by attaching a rope between the boom vang attachment and each turnbuckle and stretch D1 out along the mast

5.6

Fit the backstay and runners

- backstay: check the direction of the pin (pin towards the mast); It is advisable to protect this with sticky tape;
- runners: pins towards the mast.

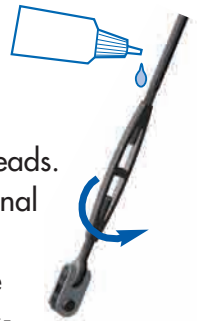
5.7

Fit the forestay

- Staysail stay (if applicable): attach it to the length of the mast;
- forestay and furler: Lay the furler on the ground on padding to protect it (do not store the furler on the mast) and fit it at the end.

Checks and preparation of the turnbuckles

- **unscrew the turnbuckles** (pin removed) by turning the body clockwise;
- the turnbuckles are designed with right and left hand threads. Position the body with the **left screw on the bottom** (traditional screw direction);
- Think ahead: with the mast stepped, nothing must stop the turnbuckles from being tightened quickly (shrouds and forestay) to keep the shape;
- keep the turnbuckles **clean**. Lubricate if required with Sparcraft Rigging grease;
- **protect the turnbuckles** (cloths and/or tape) to avoid knocks during handling.



Final check

- check each pin is in place;
- tie the standing and running rigging to the mast (forestay slack);
- check that the turnbuckles and pins are compatible with the deck fittings and chain plate;
- Mast fitted to the keel: measure the distance under the deck and compare with the distance between the foot and deck stop.

Protect any parts that jut out

- It is recommended that all sensitive elements of your rig be protected. A simple piece of rigging tape can be placed on clevis and split pins. This will help prevent unnecessary wear to sails. This mark can also be used as an indicator during checks on all the fittings.
- attach the foam protection to the front side of the spreaders to avoid contact with the furler when moving the mast.





Masthead equipment

- Fitting of equipment (navigation lights,...) on land: complete this installation at the end. Cut down the amount of times you have to climb the mast and make sure they fit before stepping;
- Fitting from the top: prepare the fragile elements (aerials and/or wind indicators), but do not fix them until the mast is stepped and checked (temporary fitting of aerial upside down before lifting). Please consult the instructions from the manufacturers of such equipment and the recommendations from the crane-driver during the lifting process.



Checking the cables and connections

- any electric shock can cause corrosion.
Please check the condition of the cables and the bulbs in the navigation lights. Have them tested if necessary;
- Check the electrical connections and protect them with an appropriate product.



Final visual check

Planted mast should read keel stepped mast : check the position of the watertight system inside the mast (generally found at the lowest halyard exit). You should only see daylight through the central tube for the electric cables. No light should pass through the main section

Precautions during hoisting

The operation needs to be carefully planned due to the high risks involved, concerning the equipment and the safety of those taking part in the operation.

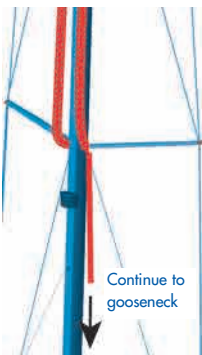
- Avoid lifting in strong winds;
- stabilise the boat.
- At each stage, all of the cables are together and the running and standing rigging are attached to the foot of the mast except for the forestay (or furler) which is loose and ready to be attached.

Please note: We are giving you a tried and tested method for stepping the mast, but it is up to you to decide whether this is suitable depending on your rig configuration, the crane and the environment:

Sling

The hook must be fitted with a safety catch. Add an additional turn around the jaws of the sling.

- place the sling stop **above the centre of gravity** of the mast as marked by the sticky tape (balance point) and knot it tight using a bowline;



- take the sling from its hoisting point to the bottom of the mast and fix it to the gooseneck fitting;
- pull in and bring together any surplus stop;
- tie a tow rope between the anchorage point and the boom vang attachment (or gooseneck fitting);
- Depending on the size of the mast and configuration, prepare a tow rope from the tip of the top spreader.

Safety procedures:

The lifting and attachment stops must be suitable for the load and tightly knotted. Position the mast above the deck of the yacht. Guide the mast into place with the help of the tow ropes.





Fitting the furler: please read the instructions supplied by the manufacturer.

Securing a deck stepped mast

- place the foot of the mast into its base;
fix the standing rigging: forestay, babystay, cap shrouds, lower shrouds, runners, backstay just to secure the mast. Tighten the turnbuckles **simply by hand** to begin with (see below).

8.1

Securing a keel stepped mast

The mast must be perpendicular to the vertical of the boat.

- fit the items (wedge and flange) from the mast sleeve kit. The deck must be clear and the collar fixed with flange ready to receive the mast;
- two people guide the bottom of the mast into its collar above the deck and give instructions before crossing the deck. A third person helps with these operations and gives instructions from inside the boat.
- pass the electric cables carefully through the deck collar;
- lower the mast;
- simple step: guide the mast into its housing;
- U-shaped step: the same to fix the mast with the axis going through the simple step;

The exact position of the axis depends on the adjustment required: the further forward the axis, the greater the rake. The neutral point is of course in the middle (see the adjustments section 12).



Neutral position in the middle of the step

N.B.: to avoid any damage to the mast as it is lowered, protect it (plastic film or padding).

- fit the forestay to its chainplate;
- fit the lower shrouds, then the main shrouds. Hand tighten the turnbuckles (Do not use a spanner) to obtain a balance (bd/td);
- fit the backstay(s);

N.B.: on some models, the backstay is calculated precisely to ensure the correct tension when under strain.

If it is difficult to fit: ensure that the mast is not leaning forward, release the stay completely (turnbuckles or link plates), release D1 (lower shrouds), tighten slightly V1 (cap shrouds) and using the mainsail halyard fixed to a solid point (cleat, traveller track), swing the mast backwards to allow the backstay(s) to be attached.

- With the backstay(s) in place, tighten by hand, regularly and symmetrically, all of the turnbuckles to secure the mast.



Free the sling

When the mast is safely in place and secured, release the sling. Remove the return knot at the foot of the mast.

Sleeve kit



- Line up the bolts in their respective places and squeeze the elastomer seal in order to ensure it is completely watertight. To be safe, ensure that the seal is uniformly tight, in order to avoid any risk of leaking. This

needs to be firmly tightened. We recommend that for the aluminium system with screwed seals that the screw be protected with a special product (duralac, Teg gel...)

- have available a silicon joint or PU glue to ensure contact between the seal and mast and the sleeve in the housing. Leave to dry for 24 hours before use;

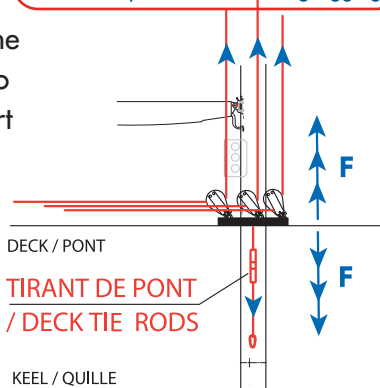


8.2

Deck tie rods

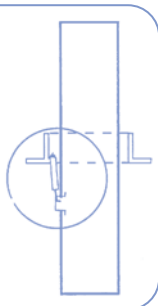
As the halyards are attached to the collar on the deck, it is essential to compensate for the load they exert upwards. It is therefore necessary to fit one or two deck tie rods, according to the size of the mast, between the collar and the stepped part of the mast.

! The final tightening of the deck tie rods must be operated after setting rigging



WARNING !

IF YOUR MAST IS EQUIPPED WITH THIS TYPE OF TIE ROD, DO NOT RAISE ANY HALYARDS. UNTIL DECK TIE RODS ARE ATTACHED TO THE MAST COLLAR AND THE MAST FAILURE TO DO. THIS COULD RESULT IN SEVERE DAMAGE TO THE DECK STRUCTURE.



SPARCRAFT™

If this key part is forgotten, serious structural problems could result.

Mast jack: please see the specific instructions

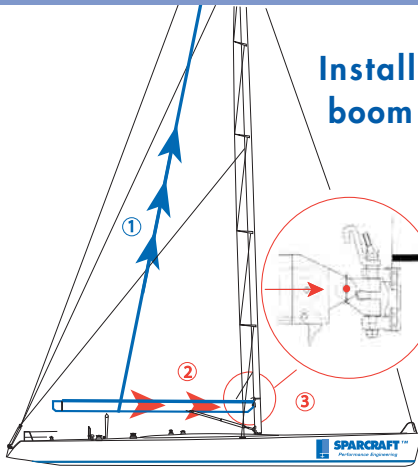


Angle the blocks to suit the halyard exits

Angling the halyard channels

- bring the running rigging to the foot of the mast to allow the layout to enter the cockpit and go on to the blocks;
- for the halyard layouts: angle the blocks to the mast exits to avoid early wear on the running rigging. The way it is spread out depends on

the recommendations from the manufacturer and your choices of on-board organisation.



Installation of the boom

Positioning the boom on the ball joint on the gooseneck fitting:

- manoeuvres with a short-handed crew:

With the help of the topping lift or directly with the mainsail halyard, ease the weight on the boom;

- once raised to a comfortable position, insert the front tip of the boom into the gooseneck.

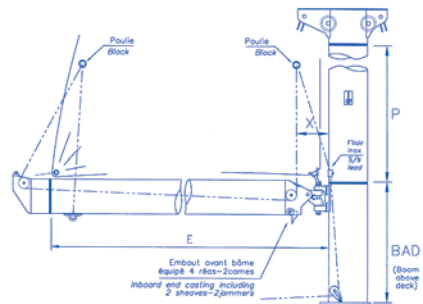
N.B.: for some models, the ball joint is fitted in a different direction (delivered upside down). Keep it this way up (Do not turn over).

- fit seals or collars on either side of the joint, according to the original assembly;

- lock in position with a pin or bolt.

Taking in a reef with continuous rigging

Reefing is carried out from the cockpit, and the fitting process is no different than that of a classic boom.



Pole

- check the mechanisms are working properly. Lubricate if necessary;

- adjust the lengths of the pole up and pole down-haul. Mark adjustment points on these with the mast in place.



CATAMARANS - Special instructions

Catamarans are usually fitted with self-standing systems, which keep the mast in place with a forestay and two top stays fastened to chain plates on the hull.

These self-standing masts can be divided into two groups:

- pivoting masts called teardrop masts or wing masts (wing masts as found on Formula 28 and F 40);

- fixed masts.

These fixed masts are rigged in different ways:

- masts on tripods: the spreaders are connected to the front by a martingale and a jumper enabling the mast to be made rigid lengthways;
- intermediate shapes: the mast is simply supported sideways by the spreaders and a bigger set of shrouds (not self-standing lengthways, so no jumpers);



Catamaran rig
(diamond rig)

CATAMARANS - Pre-adjustment before fitting

The special characteristics of the self-standing rigs on multihulls mean that the lateral diamond shapes and jumpers are under tension and pre-adjusted before stepping the mast in order to obtain a rigid structure.

See also the special instructions.

Marks

- the mast must be placed lengthways in the boat;
- to carry out the adjustments, use the mainsail halyard in order to measure the distance to an equidistant point on either side.

Rake

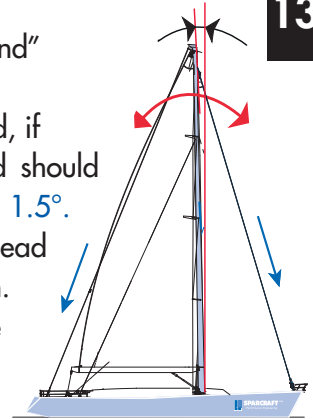
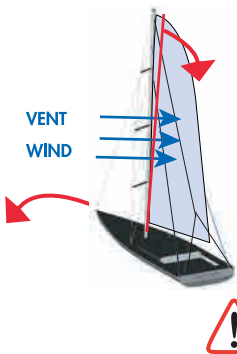
$$\Phi = 1 \text{ à } 1,5^\circ$$

- finely adjust in order to find the best "Rake/Prebend" (see below);
- the tension of the forestay and the backstay should, if possible, be the same as that of the shrouds and should induce a rake Φ (angled backwards) by about 1 to 1.5°.

- e.g.: 10-metre mast: masthead pushed back by about 20 cm. This mast rake will determine whether the boat has a lee helm or a weather helm. The greater the rake, the more the weather helm and vice versa.

Adjust only for a very small amount of pre-bend on furling masts (see instructions)

13.1



Tension of the rigging at the masthead and on the spreaders:

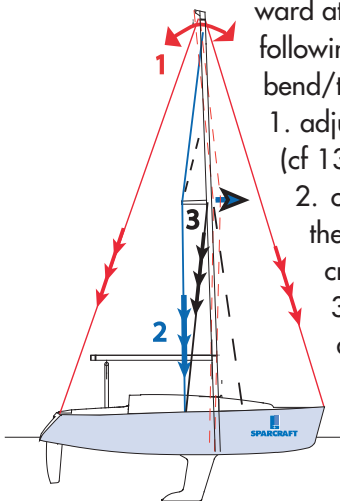
1. adjust the rake with the forestay, then tighten the backstay (see section 13.1);
2. centre the mast sideways using the cap shrouds and tighten them symmetrically in order to obtain an upright mast;
3. apply tension to the rear and front lower shrouds allowing a slight pre-bend then adjust the intermediate shrouds checking the cross-section is upright (looking along the sail track);
4. apply the final tension maintaining the same order and then carry out checks under sail. The tension on the cap shrouds and the lower rear shrouds should be high.

13.2

13.3

Tension of the head rigging with swept-back spreaders

Special instructions: swept-back spreaders support the mast from the sides and lengthways. By increasing the tension, the mast is pushed forward at the level of the spreaders creating a curve. Carry out the following step by step procedure to obtain the correct rake/pre-bend/tension:



1. adjust the rake with the forestay, then tighten the backstay (cf 13.1);
2. centre the mast sideways using the shrouds and tighten them symmetrically to obtain a regular bend of the mast (20 cm for a 35');
3. apply tension to the lower shrouds, then the intermediate shrouds checking the mast is upright and with the right bend;
4. Complete the adjustment to the tension in the same order and then after sailing trials. The tension on the cap shrouds (V1) and lower shrouds (D1) must be high.

Regularly check the vertical alignment along the sail track.

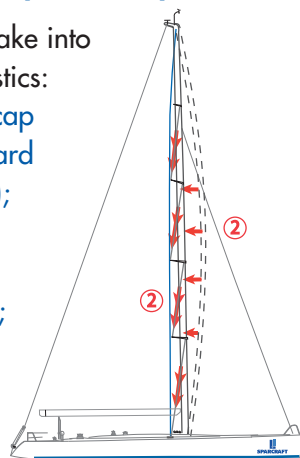
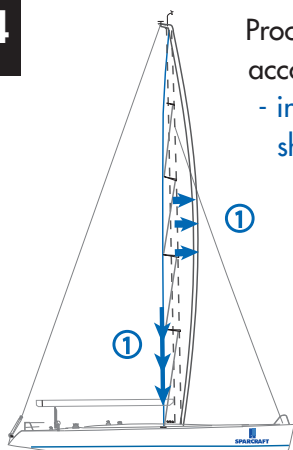
Please note for discontinuous rigging: the turnbuckles on the intermediates (D2) must be completely open during the adjustment of the V1, and can be closed once the tension of V1 is complete. The tension on D2 must be low: close the turnbuckles by hand and two spanner turns.

Tension on the fractional rigging with swept-back spreaders

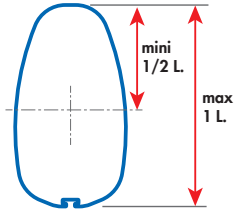
13.4

Proceed as in section 13.3, but take into account the following characteristics:

- increasing the tension on the cap shrouds pushes the mast forward creating a pre-bend (step ①);
- tightening the lower and intermediate shrouds will reduce the bend (step ②);
- a regular pre-bend is required (see p19);



- when the lower shrouds have been tightened and the intermediate shrouds adjusted, the pre-bend value should be approximately half the mast section depth (about 10/12 cm for a 35'). This value can increase to one mast section depth if required;



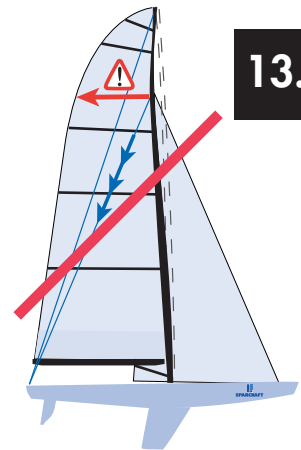
- adjust the running backstays to finish, as they work in opposition to the rest of the rig;

- when the back angle of the spreaders is below 15°, the tension required on the running backstay is high, in order to support the mast backwards;

- If the rear angle of the spreaders is above 15°, the spreaders will also support the mast lengthways and the tension on the backstay does not need to be so high. However, be careful not to exceed the limit to avoid a mast inversion.

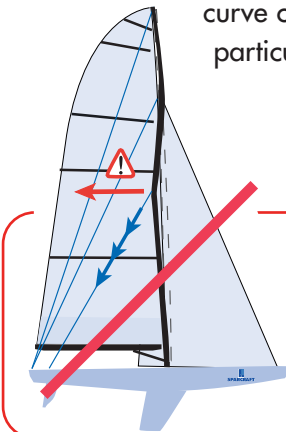
Tension of fractional rigging with in-line spreaders

- proceed as in section 13.3. Note:
- The rigging with in-line spreaders is adjusted as with top rigging, the only difference being the addition of backstays for the tension of the forestay;
- The mast should always be adjusted with a certain bend forwards/backwards, otherwise the curve of the mast may be inverted particularly in strong winds.



13.5

Avoid a negative bend ("curved backwards")



the babystays adjust the bend of the mid-section of the mast. If they are too tight in relation to the backstays, they can cause the inversion of the mast bend.

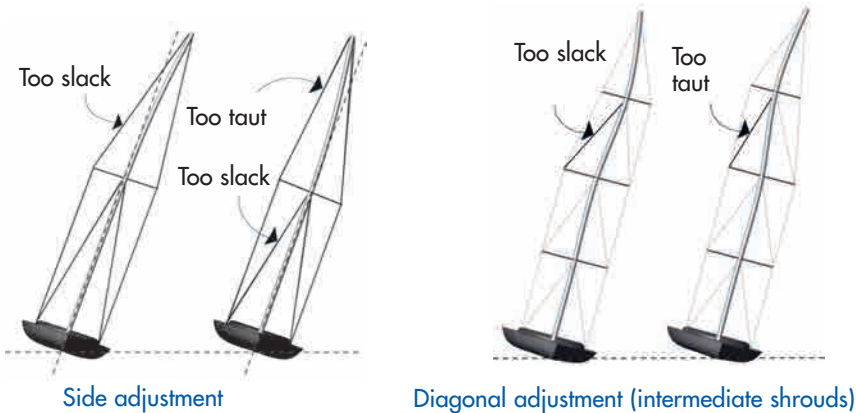


Checking adjustments under sail

- check the adjustments in moderate or light winds on calm seas. It is preferable if you can avoid having to deal with manoeuvres by taking aboard some experienced crewmen;
- check the alignment of the mast upwind looking along the sail track (**lateral alignment**) which should be straight on both tacks;
- the leeward cap shrouds should not be completely slack.

If this is the case on both sides, take in (once moored ashore) the same number of turns on each side of the mast. Redo the adjustment as many times as necessary until fine-tuned.

N.B.: a new rig requires an additional adjustment after its first sailing trips.



Remarks concerning discontinuous rigging:

- before applying tension to V1, it is imperative that you ease the diagonals first : D2,D3,... etc and follow again the adjustment procedure of paragraph 13.3.4. It is necessary to proceed in the same way for each new setting

N.B.: some classes of yacht have their own specific information concerning the tension of the rigging. Please consult these documents.



Once back in harbour

- make a mark to identify the adjustment position once back in port;
- note down all these adjustments in order to be able to re-use them whenever required after wintering;

N.B.: take into account the stretching of cables over time.

- if the turnbuckles have been adjusted at sea, please check to ensure that the pin is in place and that they are open;
- You can protect the sails by using a protector on the turnbuckles and sticky tape on the pins.



Maintenance

- Regularly check the condition of the standing rigging. Use the services of an expert to carry out a complete service check, as required;
- when preparing the yacht for winter, rinse off the aluminium parts: mast, foot of the mast, boom, boom vang, pole,...;
- also rinse off the running rigging;
- check the halyards and their sheaves;
- check the condition and movement of the reefing pennants.

For operations to be carried out at the top of the mast: make sure you have the right comfortable safety gear.



Trimming the sails

The techniques used to obtain the perfect trimming also depend on the shape of the sails and the characteristics of the boat. It is therefore important to obtain advice and consult your sailmaker.

	Masthead rig		Fractional rig	
	In-line spreaders	Swept-back spreaders	Swept-back spreaders	In-line spreaders
1. Rake	adjust the forestay, then apply tension to the running backstay			
2. Side + pre-bend	adjust the cap shrouds symmetrically to obtain:			
	a straight mast	a regular pre-bend	a regular pre-bend	a straight mast
3. Tension	Tighten the lower shrouds fore and aft, then adjust the intermediate shrouds	Tighten the lower shrouds, then adjust the intermediate shrouds	More tension on the cap shrouds pushes the mast forward creating a bend; More tension on the lower and intermediate shrouds reduces the bend;	Is adjusted like a masthead rig apart from the tension on the running backstays
4. Final adjustment	Apply the final tension respecting the same order Check under sail making sure the mast is straight			
Comments		Adjustment of the intermediates at each diagonal turnbuckle	Adjust the running backstay at the end (works in opposition to the rest of the rigging)	Adjust to obtain a certain bend forwards or backwards to avoid an inversion of the curve of the mast in strong winds



Adjust only for a very small amount of pre-bend on furling masts

UNPACKING AND CHECKING

P2 to 3

1

- Inventory / Reminder
- Note down the serial numbers

- Mast N° _____

- Standing rigging N° _____

PREPARATION mast and equipment

P3

2

- Preparation of the tools required
- Installation of the mast and centre of gravity

PRE-ASSEMBLY CONNECTIONS

P4

3

- Drilling and pre-assembly

RUNNING RIGGING

P4

4

- Passing the halyards through and checks

FITTING THE STANDING RIGGING

P5 to 8

5

- Insertion of shells / types of masthead gear (5.1)
- Installation of spreaders and tip fittings (5.2)
- Precautions with discontinuous rigging (5.3)
- Precautions with continuous rigging (5.4)
- Line up all the side rigging against the mast (5.5)
- Fit the runner and backstays (5.6) Fit the forestay (5.7)

PRECAUTIONS BEFORE STEPPING THE MAST

P9 to 10

6

- Checking and preparing the turnbuckles Protection
- Electrical equipment Visual check

HOISTING

P11

7

- Precautions when hoisting
- The sling Safety during the manoeuvre

P12 to 13

PUTTING THE MAST IN PLACE

- Care with the mast
- Special instructions for a mast fitted to the keel (8.1)
- Sleeve kit (8.2)

8

P14

MAST FITTED TO THE KEEL

- Fitting deck tie rods

9

P14

HALYARD EXITS

- Angling the blocks

10

P15

BOOM AND POLE

- Installation of the boom / taking in a reef with continuous rigging
- Pole

11

P16

CATAMARANS

- Special characteristics / Pre-adjustment before fitting

12

P17 to 19

ADJUSTMENTS, RECOMMENDATIONS

- Marks Rake (13.1)
- Tension of the masthead rigging with in-line spreaders (13.2)
- Tension of masthead rigging with swept-back spreaders (13.3)
- Tension of fractional rigging with swept-back spreaders (13.4)
- Tension of fractional rigging with in-line spreaders (13.5)

13

P20 to 21

ADJUSTMENTS AND SEA TRIALS

- Checking the tuning under sail
- Precautions on arrival back in harbour
- Maintenance / Trimming the sails

14

P22

ADJUSTMENT INDICATIONS

15



SPARCRAFT™



A WORLDWIDE NETWORK



La mise en place d'une mâture est une opération délicate et rigoureuse que nous vous conseillons vivement de faire effectuer par un professionnel du gréement. Pour connaître la liste des agents SPARCRAFT, merci de consulter notre site internet.

SPARCRAFT se réserve le droit de modifier sans préavis tout ou partie des présentes indications.

w w w . s p a r c r a f t . f r

Nous vous remercions de faire confiance à la marque Sparcraft. Ce document suggère quelques conseils afin d'assurer le bon déroulement de l'installation du gréement et du mâtage. Il suit étape par étape les opérations, du déballage du mât aux premières utilisations, afin de visualiser la procédure conseillée. Ces conseils ne sont toutefois qu'indicatifs et ne dispensent pas des services d'un professionnel.

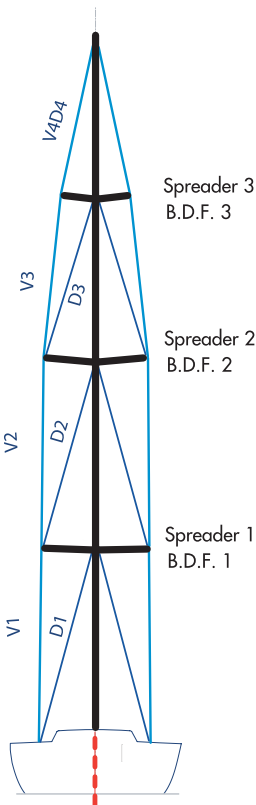


FIG. 1 - mât emplanté
(posé sur quille)

En résumé, il existe plusieurs types de gréement :

- gréement en tête : l'étai est fixé en tête de mât;
- gréement fractionné : l'étai est ancré en dessous de la tête de mât (à 9/10 ou 7/8 par exemple de la hauteur du mât);
- à un ou plusieurs étages de barres de flèche qui peuvent être poussantes (fig.2) ou non poussantes ("dans l'axe");
- continu (haubans guidés mais non fixés dans l'embout de barre de flèche) ou, inversement, discontinu (section 5.3 et 5.4);
- le mât peut être posé sur le pont ou implanté sur quille (ou "emplanté", fig1).

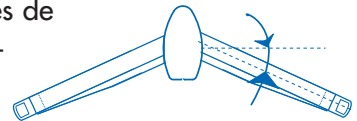


FIG. 2
Barres de flèche poussantes :
angulation des barres de flèches
par rapport à l'axe du mât

Ces différents types de gréement impliquent des installations et des réglages différents (voir sections 5.3 et 13). Nous avons consacré la section 12 aux gréements des catamarans.

Nota mâts enrouleurs : se référer également à la notice spécifique

RAPPEL & CONTRÔLE DE LA PROCÉDURE : voir en fin de document.



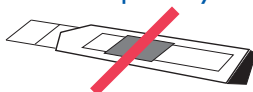
Inventaire

En fonction de sa destination, le mât est emballé avec différents matériaux : plastique, moquette, lattes de bois.

- déballer le profil avec précaution et repérer le point d'équilibre (voir P 3);
- contrôler son état général afin de détecter toute anomalie; l'état de l'emballage peut être un indicateur déterminant lors de cette phase de contrôle. Avant leur départ, tous les mâts sont inspectés par nos spécialistes. Les rares problèmes rencontrés surviennent majoritairement lors du transport, d'où l'importance du contrôle à réception du matériel;
- réunir et recenser toutes les pièces nécessaires;
- lors du déballage, prendre soin de **ne pas couper les messagers et de ne pas rayer le profil**. Cutter, couteau ou autres instruments tranchants doivent être utilisés avec précaution.



Attention à ne pas rayer le profil



Rappel

- les mâts Sparcraft sont livrés avec le gréement courant (ou les messagers de drisses) lové et filmé à même le profil;
- les espars et le gréement dormant sont emballés séparément afin d'éviter les frottements pendant les transports.

Traçabilité : relevé des numéros

Pour Sparcraft, votre gréement est unique, c'est pourquoi nous lui attribuons une identité vous permettant de connaître ses origines et son acheminement. C'est une garantie de transparence et de qualité. Notez donc ces numéros sur ce livret.



- MÂT N° _____
(Le mât est gravé à la base du profil à droite de la ralingue sur la face arrière)

- DORMANT N° _____
(sur l'embout inférieur du pataras)

PRÉPARATION MÂTURE & MATÉRIEL

2

Préparation des outils nécessaires à l'opération

- identifier chaque élément de mât et de gréement dormant;
- préparer les outils utiles à l'opération de mâtage puis de réglage;
- adapter l'outillage : cela permet d'éviter de détériorer le matériel (maillet au lieu d'un marteau par exemple).

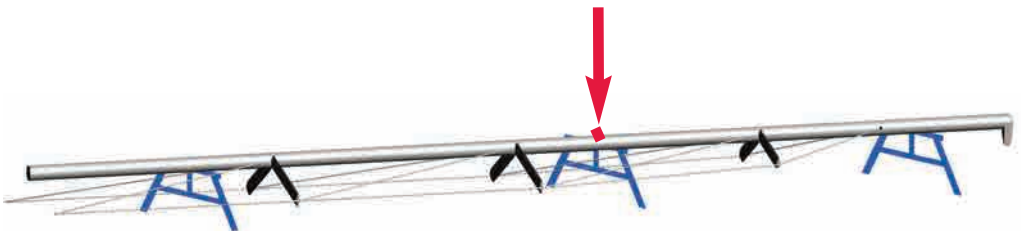


Installation et protection du mât

- installer le mât sur des tréteaux préalablement protégés par des mousses ou autres matériaux tendres.



Le **centre de gravité du mât** (point d'équilibre de manutention) est défini par une marque rouge sur l'emballage du mât. Reporter cette marque sur le mât (après déballage) par du ruban adhésif rouge.





Ne rien endommager au perçage

Perçage et pré-montage

Il s'agit de pré-monter - sans fixer - les "aériens" et feux :

- passer les câbles à l'aide des messagers;
- effectuer les taraudages, mettre en place les supports;
- pré-monter les équipements de tête de mât et éclairage pont en prenant soin de ne pas atteindre les réas;
- passer les câbles nécessaires (feux supplémentaires et VHF) ou prévus ultérieurement;
- bien étanchéifier les zones de perçage;
- bien isoler les matériaux;
- positionner l'antenne VHF à l'envers (risque au grutage);
- vérifier les sorties en pied de mât.

Passage de messagers

Laisser éventuellement un ou plusieurs messagers pour prévoir un branchement ultérieur.



Drisses avant face avant / drisses arrière face arrière

Passer les drisses à l'aide des messagers (pour les drisses non montées préalablement) en positionnant le mât :

- face avant vers le sol pour les drisses d'avant;
- face arrière vers le sol pour les drisses d'arrière;
- vérifier que toutes les drisses sont "claires", (sans contournement), parallèles à leurs sorties du mât, et libres de circulation (sorties de réas);
- réaliser un nœud d'arrêt sur chaque drisse mise en tension ("nœud en huit").

Le montage du gréement dormant ("latéral") s'effectue en commençant du haut du mât et en descendant étape par étape au pied de mât. Les diagonaux (haubans intermédiaires) et les barres de flèche sont montés au fur et à mesure de l'évolution. Le gréement dormant sera ensuite placé de part et d'autre de la section.

Insertion des coquilles

L'insertion des coquilles dans le mât (avant le positionnement des câbles dans les embouts de barre de flèche) est réalisée selon trois gestes simples :

5.1

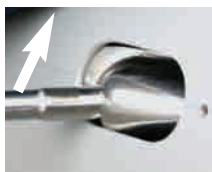
Encastrement



Rotation



Positionnement



fixation d'un rivet de sécurité

Un rivet aluminium peut être fixé dans le trou supérieur pour éviter le dégagement de la coquille pendant le mâtage. **Bien maintenir la coquille en position avant d'insérer le rivet.** Ce rivet n'a pas de fonction structurale car une fois le mât érigé, les coquilles sont maintenues fermement en place par la tension du gréement.

Types de capelage

- coquilles latérales (fixation par rivets) : livrées montées sur les câbles;
- terminaisons en T : présenter l'embout à 90° et le retourner d'autant dans son logement. Fixer une retenue pour éviter toute sortie accidentelle (notamment pour les bastaques);
- capelages extérieurs (à lattes) : ne jamais reprendre la tension sur les écrous traversants (risque "d'écraser" le profil). Verrouiller les axes de fixation en prenant le soin d'ouvrir les goupilles une fois les embouts à oeil mis en place.

5.2 Installation des barres de flèche

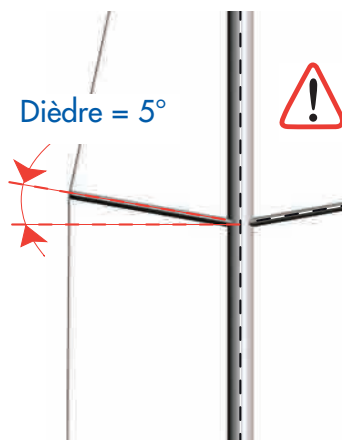
- les barres de flèche (BDF) doivent être mises en place soigneusement et fixées avec leurs axes à chaque étage de la mâture. L'utilisation d'un maillet est conseillée pour éviter les rayures sur l'aluminium;
- poser les axes en les orientant "tête vers le haut";
- les goupilles seront minutieusement écartées (maintien des axes dans une position confortable et sécuritaire, pas de jeu néfaste dans la barre de flèche).



Goupilles fendues
à écarter de 30° environ

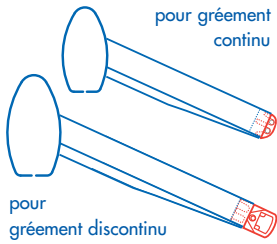


ou anneaux brisés



Nota : utilisation éventuelle d'un serre-joint de compression pour montage BDF sur barreau inox : selon la procédure jointe à ces barres de flèche.

Embouts de barres de flèche



Installer successivement chaque extrémité de barre de flèches continues et/ou discontinues, prêtes à recevoir les galhaubans et haubans intermédiaires ("inters").

Précautions gréements discontinus


Dans le cas d'un gréement discontinu, chaque câble doit être aligné et disposé de façon à ce que toutes les pièces se positionnent logiquement :

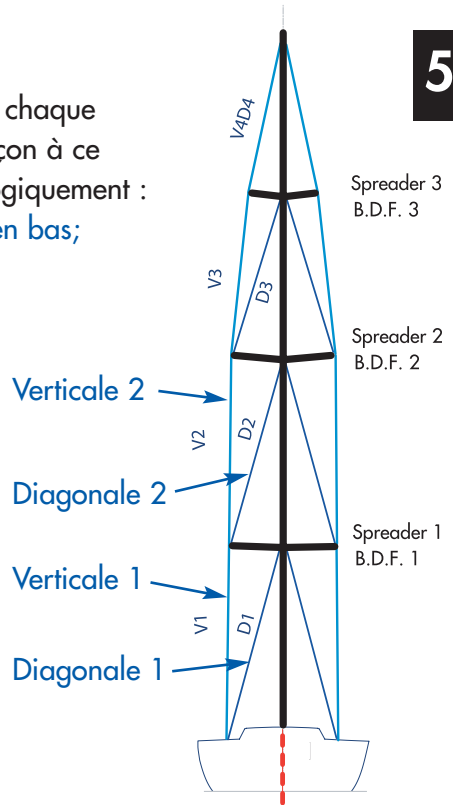
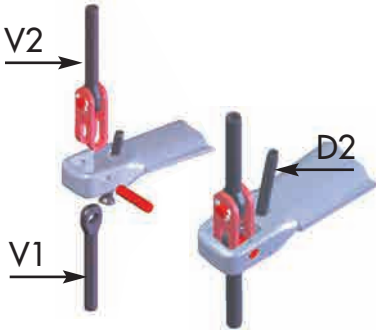
- chape en haut, l'œil correspondant en bas;
- relâcher les ridoirs des diagonaux


(Voir figure pour ordre V_x / D_x).

Ceux-ci doivent être desserrés au maximum.



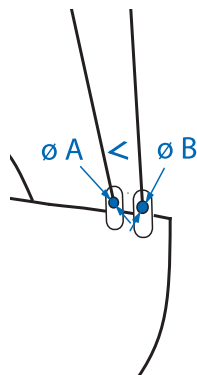

Détendre les diagonaux au maximum




Montage avec cavalier : cavalier positionné vers le haut

5.4 Précautions gréements continus

- vérifier l'emplacement (avant ou arrière) des câbles avant de visser l'embout de barre de flèche (B.D.F.) : le passage des galhaubans et inters dans l'embout de B.D.F. est imposé par l'ordre des emplacements des câbles sur les cadènes du bateau (en général le perçage des cadènes est inférieur pour les haubans intermédiaires);
- sinon par défaut : galhaubans sur l'arrière et haubans intermédiaires sur l'avant.



Vérifier le positionnement des câbles avant fixation des embouts de BDF

5.5 Rassembler le gréement latéral le long du mât

- gréement continu : côté par côté en protégeant le mât et les ridoirs (cf ci-après);
- gréement discontinu : tendre les V1 en attachant un cordage entre la ferrure de hale bas et chaque ridoir et allonger les D1 le long du mât.

5.6 Poser pataras et bastaques

- pataras : vérifier le sens de l'axe de chape (goupille vers le mât); Protéger éventuellement avec du ruban adhésif;
- bastaques : goupilles vers le mât.

5.7 Poser l'étai

- étai de trinquette (le cas échéant) : le fixer le long du mât;
- étai + enrouleur : allonger à terre l'enrouleur sur une moquette de protection (ne pas stocker l'enrouleur le long du mât) et le poser en dernier.

Vérification & préparation des ridoirs

- dévisser les ridoirs (goupille retirée) en tournant la cage dans le sens des aiguilles d'une montre;
- les ridoirs sont conçus avec un filetage "pas à droite" d'un côté et "pas à gauche" de l'autre. Positionner la cage avec le "pas à gauche" en bas (serrage traditionnel);
- anticiper : mât posé, rien ne doit gêner le serrage rapide des ridoirs (haubans et étai) pour maintenir le profil;
- maintenir les ridoirs en **propreté**. Lubrifier si nécessaire avec une graisse Sparcraft Rigging;
- **protéger les ridoirs** (chiffons et/ou adhésifs) pour éviter les chocs lors de la manutention.



Vérification finale

- vérifier chaque axe et chaque goupille;
- lier le gréement dormant et courant au mât (étai libre);
- vérifier également que les axes et types de ridoirs soient compatibles avec les fixations de pont et cadènes;
- mât posé sur quille : mesurer la distance sous le pont et comparer avec la distance entre pied et cale d'étambrai sur le mât.

Protection des éléments saillants

- Il est vivement recommandé de protéger tous les éléments sensibles de votre gréement. Une simple bande adhésive assure chaque axe et goupille et empêche le frottement et l'usure prématurée des voiles pendant la navigation. Cette marque peut aussi servir de repère de contrôle de toutes les pièces montées.
- fixer des protections en mousse sur l'avant des BDF pour éviter le contact avec l'enrouleur lors des manutentions du mât.





Équipement de tête de mât

- montage d'équipements (feux de navigation,...) à terre : finaliser la fixation de ces éléments en dernier. Veiller au parfait montage afin de limiter le travail en altitude;
- montage en aérien : préparer les éléments fragiles (antennes et/ou anémomètres) et ne les fixer qu'une fois le mât posé et assuré (fixation provisoire de l'antenne à l'envers avant grutage). Se reporter également aux instructions de montage des fabricants d'équipement et aux instructions du grutier de votre lieu de mâtage.

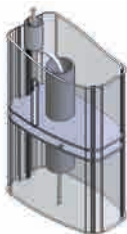


Vérification des câbles et connectique

- toute décharge électrique peut provoquer une corrosion. Vérifier donc l'état des câbles électriques et des ampoules de feux de navigation. Les faire tester au besoin;
- vérifier les connexions électriques et les protéger avec un produit adapté.



Dernier contrôle visuel



Mât emplanté : vérifier la position du système d'étanchéité à l'intérieur du mât (généralement au niveau de la sortie de drisse la plus basse). Seul le tube central de passage des câbles électriques doit laisser passer la lumière du jour. Aucun "jour" ne doit être visible sur le périmètre de la section.

Précautions de grutage

L'intervention est de la responsabilité du grutier et doit être parfaitement préparée en raison des risques importants tant au niveau matériel que de la sécurité du personnel.

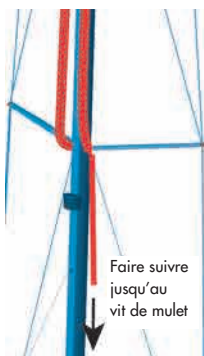
- éviter notamment le grutage par vent fort;
- stabiliser le bateau.
- à cette étape, l'ensemble des câbles est regroupé et le gréement courant et dormant attaché en pied de mât hormis l'étai (ou l'enrouleur) libre et prêt à être fixé.

Nota : nous vous présentons une méthode de mâtage éprouvée mais c'est à vous qu'il appartient de juger son opportunité suivant la configuration du gréement, de la grue et de l'environnement:

L'élingue

Le crochet doit être assorti d'une sûreté. Réaliser un tour mort supplémentaire de sécurité autour du croc de l'élingue.

- enrouler la sangle homologuée de l'élingue autour du profil obliquo-gatoirement **au-dessus du centre de gravité du mât** défini par une marque adhésive (point d'équilibre) et nouée fortement par un noeud de chaise;



- faire suivre l'élingue de son point de levée jusqu'en bas du mât et l'arrêter sur la ferrure de vit de mulet;
- regrouper et amarrer le surplus éventuel de sangle;
- frapper un bout de halage entre le point de fixation et la ferrure de hale bas (ou de vit de mulet);
- suivant la taille du mât et la configuration, prévoir éventuellement un bout de halage à l'extrémité de chaque barre de flèche N°1.



Entourer le gréement au mât et protéger les ridoirs



Sécurisation de la manœuvre :

Les bouts et sangles d'accrochage et de halage doivent être adaptés aux charges et noués fermement. **Présenter le mât au-dessus du pont du voilier.** Guider le mât pendant la manutention à l'aide des bouts de halage.



Installation de l'enrouleur :
se tenir aux instructions
du fournisseur.

Assurer le profil (mât posé sur pont)

- loger le pied de mât dans son embase;
- fixer le gréement dormant : étai, bas étai, galhaubans, bas haubans, bastaques, pataras juste pour assurer le profil. Serrer les ridoirs **uniquement à la main** dans ce premier temps (cf ci-après).

8.1

Mât posé sur quille

Le mât doit être alors à la perpendiculaire verticale du bateau.

- placer les éléments (cale et bride) du kit d'étambrai. Le pont est dégagé et la collerette d'étambrai fixée avec ses poulies, prête à recevoir le mât;
- deux personnes guident le bas du mât au passage du pont et donnent les directives avant traversée du pont. Une troisième assiste les opérations et donne les directives de l'intérieur du bateau.
- passer tous les câbles électriques avec précaution dans l'étambrai;
- faire descendre le mât;
- emplanture réduite : amener le mât dans son logement;
- emplanture en "u" : idem puis fixer le mât avec l'axe traversant de l'emplature réduite ;

Le choix de la position de l'axe est fonction du réglage souhaité : plus l'axe sera avancé, plus la quête sera importante. Le point neutre étant évidemment au milieu (voir les réglages section 12).



Position neutre de l'axe
au milieu de l'emplature

Nota : pour éviter toute détérioration du profil lors de la descente, protéger celui-ci (film plastique ou bout de moquette).

- capeler l'étai sur la cadène de pont;
- capeler les bas haubans puis les haubans. Serrer les ridoirs à la main (et non à la clé) de façon équilibrée (bd/td);
- capeler le ou les patara(s);

Nota : sur certains modèles, le pataras est calculé au plus juste pour assurer une tension correcte sous charge.

Si la mise en place est difficile : s'assurer que le mât n'est pas sur l'avant, relâcher l'étai complètement (ridoirs ou lattes), relâcher les D1 (bas haubans), prendre légèrement les V1 (galhaubans) et s'aider de la drisse de GV capelée sur un point fixe solide (taquet, barre d'écoute), basculer le mât sur l'arrière et permettre l'accrochage du ou des patara(s).

- pataras en place, reprendre à la main la tension du haubanage de façon régulière et symétrique afin de sécuriser le mât.



Libérer l'élingue

Lorsque le mât est en place et en sécurité, faire descendre l'élingue et libérer celle-ci. Enlever également le nœud du retour en pied de mât.

Kit d'étambrai



- aligner les boulons avec leur goujon respectif et compresser la cale en élastomère afin qu'elle assure son rôle d'étanchéité. Veiller à équilibrer le serrage de cette cale, afin d'éviter tout risque d'infiltration d'eau. Le serrage de l'ensemble doit être fort. Nous recommandons pour les systèmes de cales avec vissage dans l'aluminium de protéger les vis avec un produit spécifique (duralac, Tef gel,...);

- disposer un joint silicone ou colle P.U. au contact de la cale avec le mât et l'étambrai et dans la ralingue. Laisser sécher 24 heures avant les premières utilisations.

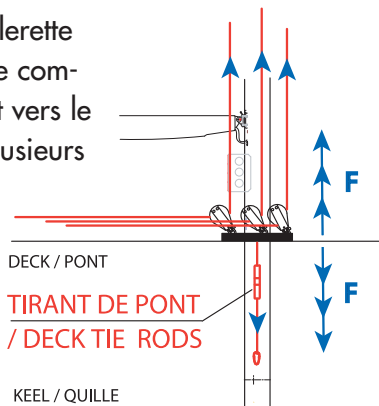


8.2

Tirant de pont

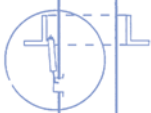
Les drisses étant reprises sur la collerette solidaire du pont, il est essentiel de compenser la traction qu'elles exercent vers le haut. Il faut donc installer un ou plusieurs (selon la taille du mât) tirant(s) de pont entre la collerette et la partie du mât emplantée.

! la tension finale des tirants de pont doit se faire après réglage du gréement



ATTENTION !

SI VOTRE MÂT EST ÉQUIPÉ DE CE TYPE DE TIRANT, NE PAS ÉTARQUER LES DRISSES AVANT DE POSER LE TIRANT ENTRE LE COLLIER ET LE MÂT SOUS PEINE DE PROVOQUER DE GRAVES DOMMAGES À LA STRUCTURE DU BATEAU



SPARCRAFT™

En cas d'oubli de cette pièce maîtresse, de gros risques structurels sont encourus.

Mast jack : se reporter aux instructions spécifiques

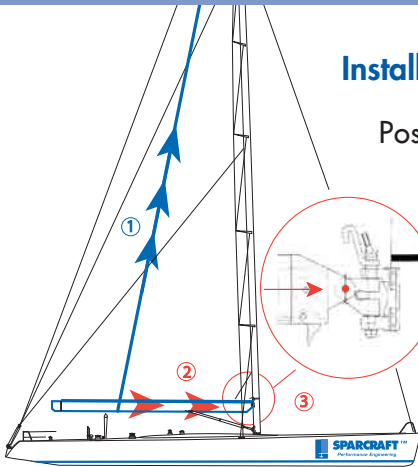


Axer les poulies par rapport aux sorties de drisse

Axer les renvois de drisses

- ramener le gréement courant au pied de mât pour permettre l'agencement des renvois au cockpit et le positionnement des poulies;
- pour les renvois de drisses : axer les poulies par rapport aux sorties dans le mât pour éviter une usure prématurée du gréement courant.

La répartition est fonction des préconisations du constructeur et de vos choix d'organisation à bord.



Installation de la bôme

Positionnement de la bôme sur le cardan du vit de mulet :

- manœuvre en effectif réduit : s'aider de la balancine ou directement de la drisse de grand voile pour soulager du poids de la bôme;
- une fois levée dans une position confortable, insérer l'axe reliant

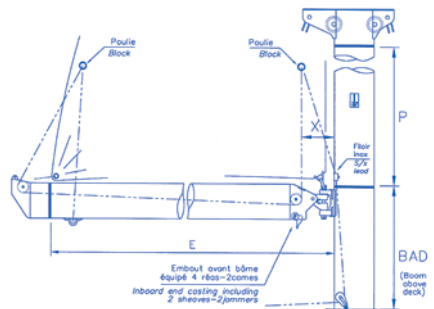
l'embout de bôme avant au vit de mulet.

Nota : pour certains modèles, le cardan est monté dans un sens différent (livré inversé). Respecter ce sens de montage (ne pas retourner).

- disposer les cales ou rondelles de chaque côté du cardan, selon le montage d'origine;
- verrouiller l'axe par la goupille ou l'écrou.

Prise de ris en continu

La manœuvre de prise de ris est, dans ce cas, ramenée au cockpit mais la procédure de montage ne diffère pas de celle de la bôme classique.



Tangon

- vérifier le bon fonctionnement des mécanismes. Lubrifier au besoin;
- régler les longueurs de balancine et hale bas. Faire des repères de réglage sur celles-ci, mât en position.



CATAMARANS - Particularités

Les catamarans sont le plus souvent dotés de gréements auto-porteurs qui maintiennent le mât par un étai et deux galhaubans liés à la coque par des cadènes. Ces mâts autoportés se subdivisent en deux familles :

- les mâts pivotants dits "en goutte d'eau" ou "profils mât-aile" (mâts ailes de type formules 28 et 40);
- les mâts fixes.

Ces mâts fixes sont étayés de différentes façons :

- les mâtures avec tripode : les barres de flèche sont relayées sur le devant par une martingale et un guignol permettant de raidir le mât dans le sens longitudinal;
- les géométries intermédiaires : le mât est uniquement supporté latéralement avec des barres de flèches et un haubanage plus important (sans "autoportée" longitudinale, donc sans guignol).



Gréement de catamaran
(losanges latéraux)

CATAMARANS - Pré-réglage avant mise en place

La particularité des gréements autoportés de multicoques implique que les losanges latéraux et les guignols frontaux soient mis en tension et pré-réglés avant mâtage afin de rigidifier la structure.

Voir également procédure spécifique.

Repères

- le mât doit être dans l'axe longitudinal du bateau;
- pour réaliser les réglages, utiliser la drisse de grand voile afin de mesurer la distance à un point fixe symétrique de chaque côté.

Quête

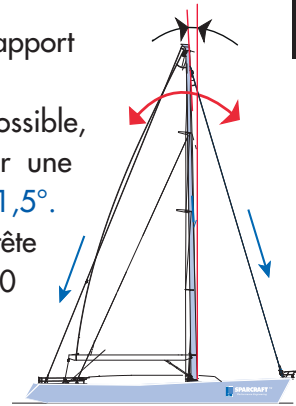
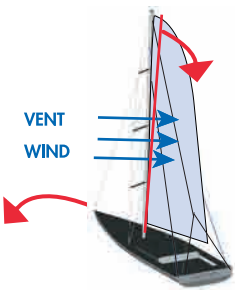
$$\Phi = 1 \text{ à } 1,5^\circ$$

- affiner les réglages afin d'obtenir le meilleur rapport "Quête/Précintre" (voir ci-après);
- la tension de l'étai et du patacas doit être, si possible, la même que celle des haubans et engendrer une quête Φ (inclinaison sur l'arrière) d'environ 1 à 1,5°.

- Ex : mât de 10 mètres : tête de mât reculée d'environ 20 cm vers l'arrière.

Cette quête de mât détermine si le bateau sera "ardent" ou "mou".

Plus la quête sera importante, plus le bateau sera "ardent" et vice versa.



13.1



Régler très peu de pré-cintre sur les mâts enrouleurs (cf notice).

Tension du gréement en tête à barres de flèche dans l'axe :

1. régler la quête avec l'étai puis tendre le patacas (voir section 13.1);
2. centrer latéralement le mât avec les galhaubans et les tendre symétriquement afin d'obtenir un mât droit;
3. mettre sous tension les bas haubans arrière et avant en donnant un léger pré-cintre puis régler les intermédiaires en contrôlant la rectitude transversale (en regardant le long de la gorge du mât);
4. finaliser la tension en respectant le même ordre et valider ensuite au cours d'essais sous voiles.

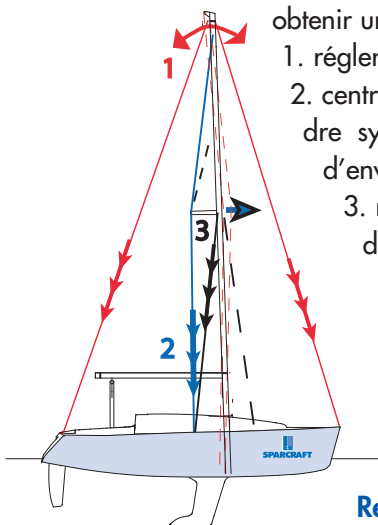
La tension sur les galhaubans et les bas haubans arrière doit être forte.

13.2

13.3

Tension du gréement en tête à barres de flèche poussantes

Particularité : les barres de flèche poussantes supportent le mât latéralement et longitudinalement. En augmentant la tension, le mât est poussé vers l'avant au niveau des barres de flèche créant une courbure. Procéder par étapes pour obtenir une solution correcte quête/pré-cintre/tension :



1. régler la quête avec l'étai puis tendre le pataras (cf 13.1);
2. centrer latéralement le mât avec les galhaubans et les tendre symétriquement afin d'obtenir un pré-cintre régulier d'environ la valeur d'un profil (20 cm pour un 35');
3. mettre sous tension les bas haubans puis les intermédiaires en contrôlant la rectitude transversale et le pré-cintre;
4. finaliser la tension en respectant le même ordre et valider ensuite au cours d'essais sous voiles. La tension sur les galhaubans (V1) et bas haubans (D1) doit être forte. Vérifier régulièrement l'alignement vertical le long de la ralingue.

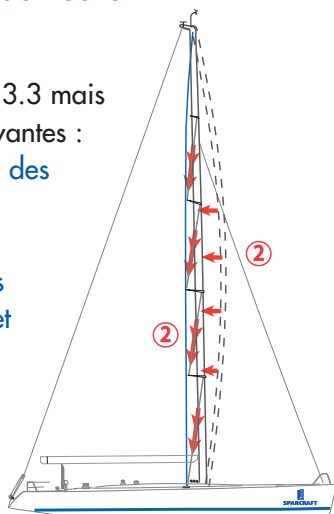
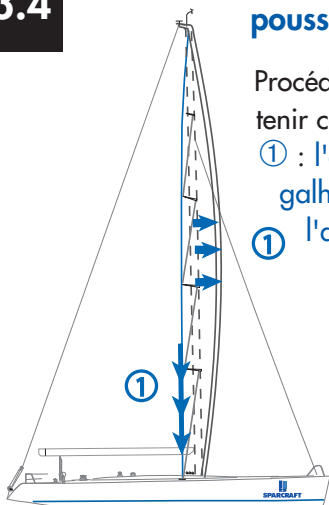
Remarque (gréement discontinu) : les ridoirs des intermédiaires (D2) doivent être totalement ouverts pendant le réglage des V1, ils sont repris une fois la tension des V1 achevée. La tension des D2 doit être faible : fermer les ridoirs à la main + 2 tours de clé.

13.4

Tension du gréement fractionné à barres de flèche poussantes

Procéder comme dans la section 13.3 mais tenir compte des particularités suivantes :

- ① : l'accroissement de la tension des galhaubans pousse le mât vers l'avant créant le cintre;
 - ② : raidir les bas-haubans et les intermédiaires permet de réduire le cintre;
- un pré-cintre permanent est souhaitable (voir valeur ci-après)



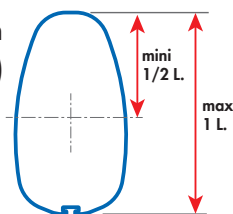
- la valeur du pré-cintre (la flèche) doit être au minimum d'une demi longueur de section (env.10/12 cm pour un 35') une fois les intermédiaires et bas haubans en tension.

Cette flèche peut atteindre jusqu'à une section de mât.

- régler les patacas en dernier car ils travaillent en opposition du reste du gréement;

- lorsque l'angle arrière des barres de flèche est inférieur à 15°, la tension requise des patacas est plus importante afin de mieux supporter le mât vers l'arrière;

- si l'angle arrière des barres de flèche est supérieur à 15°, les barres de flèche supportent aussi le mât dans le sens longitudinal et la tension des patacas n'est pas nécessairement aussi élevée. Veiller par contre à limiter sa course afin d'éviter toute inversion du mât.



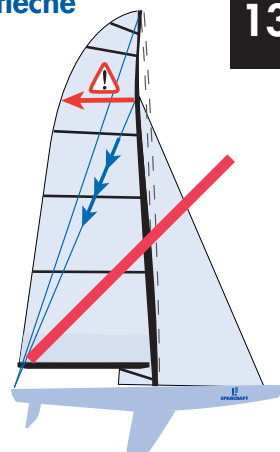
Tension du gréement fractionné à barres de flèche droites (dans l'axe)

- procéder comme dans la section 13.3

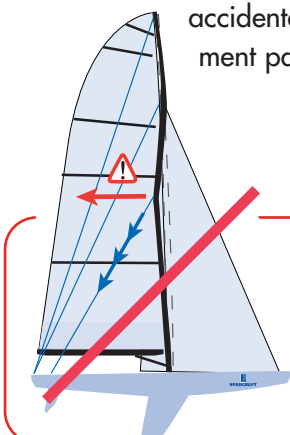
Remarques :

- le gréement à barres de flèches droites se règle comme le gréement en tête, la seule différence étant l'addition de bastaques pour la tension de l'étau;
- le mât doit toujours être réglé avec un certain cintre avant/arrière sinon la forme courbe du mât peut être accidentellement inversée particulièrement par vent fort.

13.5



Eviter un cintrage négatif ("ventre arrière")



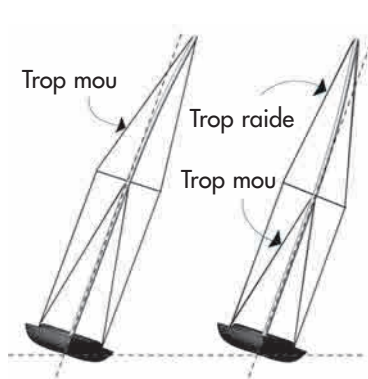
Les basses-bastaques permettent de régler exactement le cintre de la section médiane du mât. Si elles sont trop raides comparées aux bastaques, elles peuvent provoquer l'inversion du cintre du mât en navigation.



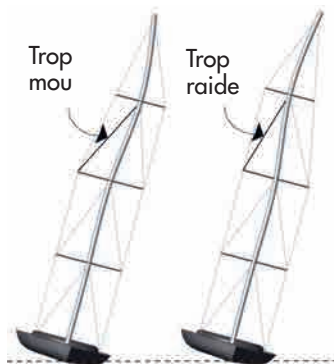
Validation des réglages sous voiles

- valider les réglages par des essais, par vent moyen ou faible et sur mer plate. Il est souhaitable de pouvoir être libéré des manœuvres et d'embarquer pour cela des équipiers expérimentés;
- vérifier l'alignement du mât au près en examinant le long de la gorge (**alignement latéral**) qui doit être rectiligne sur les deux amures;
- les galhaubans sous le vent ne doivent pas être complètement détendus. Si c'est le cas des deux côtés, reprendre (à quai) un nombre de tours identique de chaque côté du mât. Reprendre les réglages autant de fois que nécessaire jusqu'à obtenir un réglage optimal.

Nota : un gréement neuf nécessite une reprise de réglage lors des premières sorties en mer.



Réglage latéral



Réglage diagonal (haubans intermédiaires)

Remarque gréements discontinus :

- avant de reprendre les tensions sur les V1, il est impératif de détendre préalablement les diagonaux D2,D3 etc... et les reprendre selon la procédure du paragraphe 13.3-. Il est indispensable de procéder de la même façon à chaque nouveau réglage.

Nota : certaines classes de voiliers possèdent des informations spécifiques pour la tension du gréement. Veuillez vous y reporter.



A l'arrivée au port

- marquer les réglages par des repères à l'arrivée au port;
- noter tous ces réglages afin de pouvoir les réutiliser au besoin après une opération d'hivernage;

Nota : tenir compte de l'allongement des câbles dans le temps.

- si les paramètres de ridoirs ont été changés en mer, penser à vérifier que les goupilles sont en position, ouvertes;
- protéger éventuellement les voiles en disposant un protège-ridoir ou du ruban adhésif sur les goupilles.



Entretien

- vérifier régulièrement l'état du gréement dormant. Faire appel à un professionnel pour réaliser un bilan complet au besoin;
- à chaque hivernage, rincer les parties en aluminium : mât, pied de mât, bôme, halebas, tangon,...;
- rincer également le gréement courant;
- vérifier les drisses et réas de drisse;
- vérifier le fonctionnement et l'état des bosses de ris.

Intervention en tête de mât : se munir d'un équipement sûr et confortable.



Réglage des voiles

Les techniques utilisées pour obtenir un réglage optimal dépend également du profil des voiles et des caractéristiques des bateaux. Il est donc important de multiplier les avis et consulter votre maître voilier.

	Gréement en tête		Gréement fractionné	
	BDF dans l'axe	BDF poussantes	BDF poussantes	BDF dans l'axe
1. Quête	régler l'étai puis tendre le pataras			
2. Latéral + pré-cintre	régler les galhaubans symétriquement pour obtenir :			
	un mât droit	un pré-cintre régulier	un pré-cintre régulier	un mât droit
3. Tension	tendre les bas haubans (avant et arrière) puis régler les intermédiaires	tendre les bas haubans puis régler les intermédiaires	+ tension des galhaubans pousse le mât vers l'avant créant le cintre; + tension des bas-haubans et les intermédiaires permet de réduire le cintre;	se règle comme le gréement en tête hormis pour la tension d'étai (bastaques)
4. Réglage final	finaliser la tension en respectant le même ordre valider sous voiles en vérifiant la rectitude du mât			
Remarque		réglage des inters au niveau de chaque ridoir de diagonale	régler les patatas en dernier (travaille en opposition du reste du gréement)	régler avec un certain cintre avt/ar pour ne pas inverser la courbe du mât par vent fort



Régler très peu de pré-cintre sur les mâts enrouleurs.

COMMENTAIRES

1

- Inventaire / Rappel
- Relevé des numéros de lots

- Mât N° _ _ _ _ _

- Dormant N° _ _ _ _ _

2

PRÉPARATION mâture et matériel

P29

- Préparation des outils nécessaires
- Installation du mât & centre de gravité

3

PRÉ-MONTAGE CONNECTIQUE

P30

- Perçage et pré-montage

4

GRÉEMENT COURANT

P30

- Passage des drisses et vérification

5

POSE DU GRÉEMENT DORMANT

P31 à 34

- Insertion des coquilles / types de capelage (5.1)
- Installation des barres de flèche & embouts (5.2)
- Précautions gréements discontinus (5.3)
- Précautions gréements continus (5.4)
- Rassembler le gréement latéral le long du mât (5.5)
- Poser pataras et bastaques (5.6) Poser l'étai (5.7)

6

PRÉCAUTIONS AVANT MÂTAGE

P35 à 36

- Vérification & préparation des ridoirs protection
- Equipement électrique contrôle visuel

7

LE GRUTAGE

P37

- Précautions de grutage
- l'élingue Sécurisation de la manœuvre

P38 à P39

MISE EN PLACE DU MÂT

- Assurer le profil
- Particularité mât posé sur quille (8.1)
- Kit d'étambrai (8.2)

8

P40

MÂT EMLANTÉ SUR QUILLE

- Installation du tirant de pont

9

P40

SORTIES DE DRISSES

- Axer les poulies

10

P41

BÔME & TANGON

- Installation de la bôme/ Prise de ris continu
- Tangon

11

P42

CATAMARANS

- Particularités / Pré-réglage avant mise en place

12

P43 à 45

RÉGLAGES, PRÉCONISATIONS

- Repères
- Quête (13.1)
- Tension du gréement en tête à B.D.F. dans l'axe (13.2)
- Tension du gréement en tête à B.D.F. poussantes (13.3)
- Tension du gréement fractionné à B.D.F. poussantes (13.4)
- Tension du gréement fractionné à B.D.F. dans l'axe (13.5)

13

P46 à 47

RÉGLAGES & ESSAIS EN MER

- Validation des réglages sous voiles
- Précautions à l'arrivée au port
- Entretien / Réglage des voiles

14

P48

TABLEAU INDICATIF DES RÉGLAGES

15



MÂTS - BÔMES - ACCASTILLAGE
MASTS - BOOMS - HARDWARE

SPARCRAFT - FRANCE

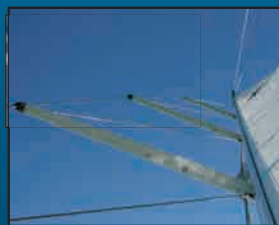
4-8, Rue Blaise Pascal
Z.I. de Périgny
F-17185 Périgny
TEL : +33 (0)5 46 45 90 45
FAX : +33 (0)5 46 45 36 59
e-mail : contact@sparcraft.com
www.sparcraft.com

SPARCRAFT ATLANTIQUE

1 allée Loïc Carradec
F-56000 Vannes
TEL : +33 (0)6 18 12 59 90
plegoff@sparcraft.com

WICHARD - SPARCRAFT USA

3901 Pine Grove Circle
CHARLOTTE NC 28206 USA
TEL : +01 (704) 597 15 02
FAX : +01 (704) 597 09 61
e-mail : sales@wichard-sparcraft.com
www.sparcraft-us.com



GRÉEMENT COURANT & DORMANT
STANDING & RUNNING RIGGING

TEL : +33 (0)5 46 34 31 27
e-mail : info@sparcraft-rigging.com



MANUALS ON
www.sparcraft.com

NOTICES SUR
www.sparcraft.fr



Prix / Price : 10 euros